

ZXF-N2000

EX-PRO HANDHELD VHF RADIO

- Meet the latest IMO regulation
- Designed for use by onboard firefighters
- CCS type approval



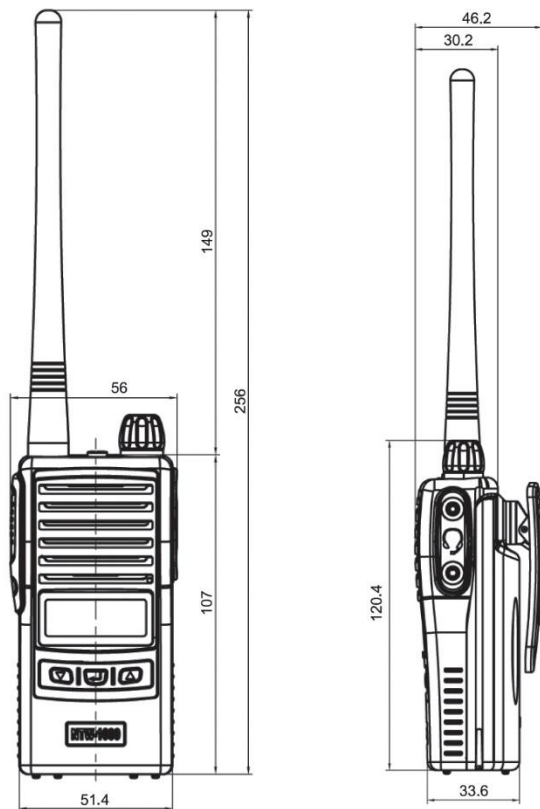
- Use on-board tankers or for fire service communication.
- Designed to comply with IMO MSC338 (91).
- Includes 19 VHF simplex channels assigned to marine use by ITU.
- EX-PRO approved.



SPECIFICATIONS

- Frequency range: 156.300 ~ 156.875MHz (default)
- Output Power: HIGH 3.0W / LOW 0.5W
- Communication Methods: Simplex
- Usable Channels: 19 Channels
- Channel Space: 25kHz
- Warming Up Time: Within 5 Sec
- Battery Voltage: 7.2V (DC)
- Operating Temperature: -20°C ~ + 60°C
- Watertight: At least 5 min at 1m depth
- Dimension: 51 (W) × 33 (D) × 256 (H) mm
- Weight: 280g (Transceiver+Battery)
- IP Grade: IP66

SIZE DIMENSION



EQUIPMENT LIST

• STANDARD

- Transceiver 1 pc
- Rechargeable Battery Pack 1 pc
- Charger & Adaptor 1 set
- Antenna 1 pc
- Belt Clip 1 pc
- Wrist Rope 1 pc

• OPTIONS

- PTT 1 pc
- Helmet-Com Unit 1 pc



Rechargeable Battery Pack



Wrist Rope



Belt Clip



Battery Charger



AC/DC Adapter



Helmet-Com Unit

PTT